



LEFROY BROOKS

1 8 2 8 T R O U T M A N S T R E E T
R I D G E W O O D N E W Y O R K N Y 1 1 3 8 5 U S A
T : + 1 (7 1 8) 3 0 2 5 2 9 2 F : + 1 (7 1 8) 3 0 2 4 1 7 7

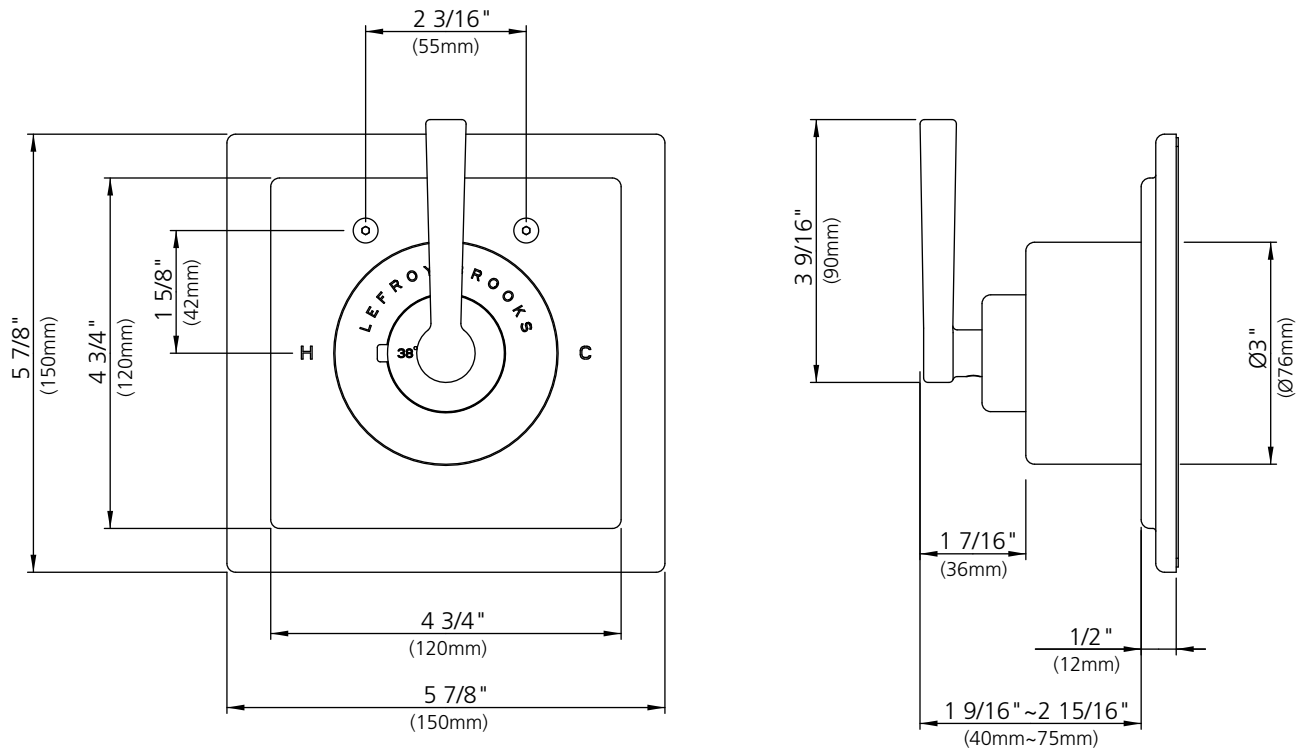
M1-4401

SINGLE LEVER THERMOSTATIC TRIM ONLY, TO SUIT M1-4200 ROUGH

DIMENSIONAL DATA SHEET

DATE: 14 January 2010

No: A667950



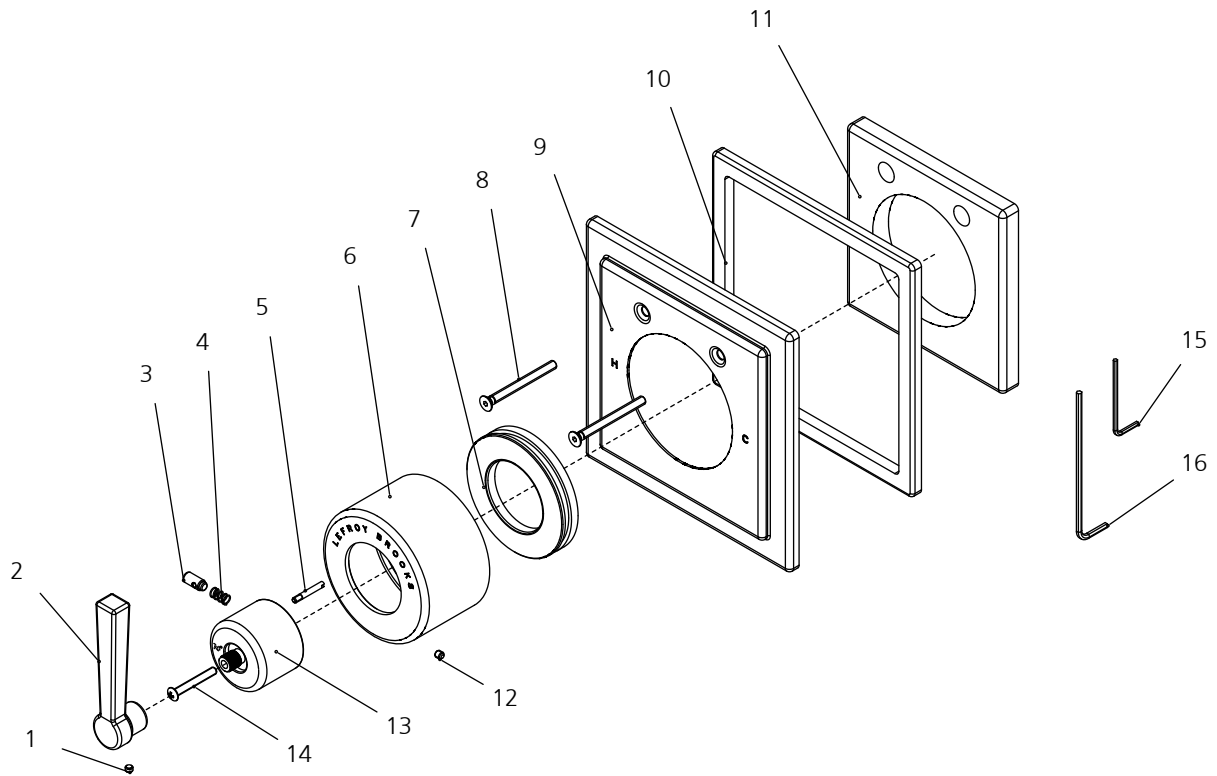
©COPYRIGHT 2009. CHRISTO LEFROY BROOKS. ALL RIGHTS RESERVED.

DIMENSIONS IN INCHES & MILLIMETRES

WHILST EVERY EFFORT IS MADE TO ENSURE THE ACCURACY OF THESE DATA SHEETS THEY ARE SUBJECT TO CHANGE WITHOUT NOTICE AS PART OF THE COMPANY'S PRODUCT DEVELOPMENT PROCESS

M1-4401

SINGLE LEVER THERMOSTATIC TRIM ONLY, TO SUIT M1-4200 ROUGH



- | | | | |
|---|-------------------------|----|-------------------------|
| 1 | Set screw (292598) | 9 | Front panel (006583-51) |
| 2 | Handle (029686) | 10 | Seal (010941) |
| 3 | Button (036272) | 11 | Seal (013815) |
| 4 | Spring (005157) | 12 | Set screw (065086) |
| 5 | Pin (003147) | 13 | Adaptor (067960-50) |
| 6 | Canopy (018959-50) | 14 | Screw (008994) |
| 7 | Adjusting ring (104295) | 15 | Allen wrench (031003) |
| 8 | Screw (008186) | 16 | Allen wrench (031220) |